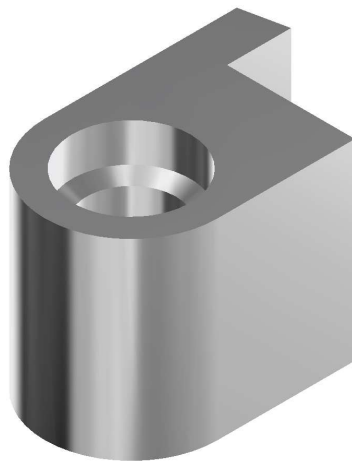
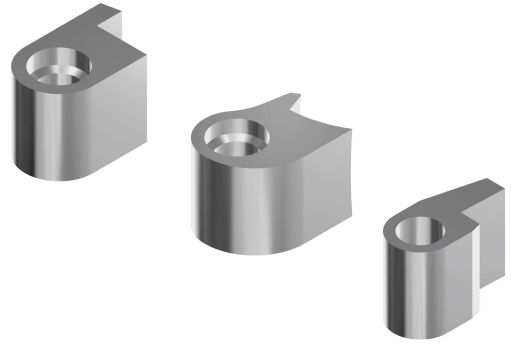


Rim locks

夹口



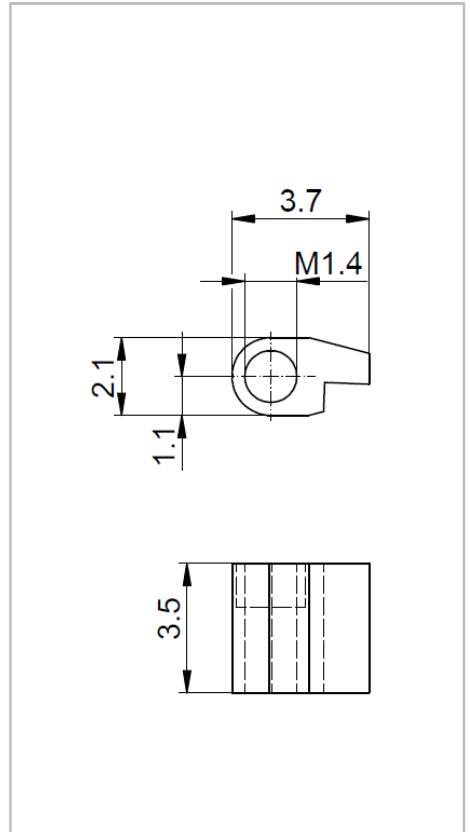
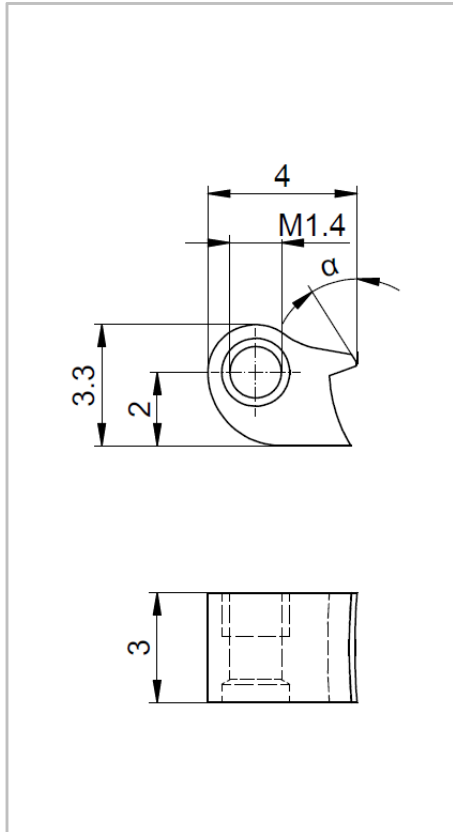
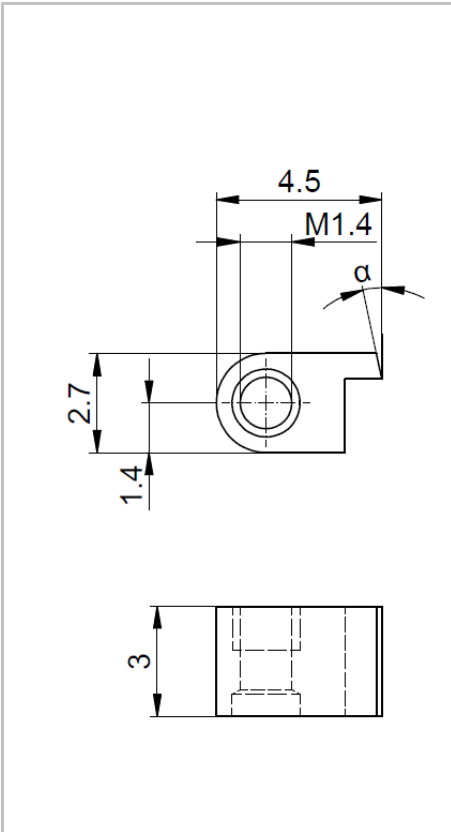
- Rim locks
 - 夹口
- Made from nickel silver or titanium
 - 白铜或钛材料制造
- 2 standard widths
 - 2个标准宽度
- Available with OBE safety rimlock screw (ISS) for optimum hold
 - 有配套OBE ISS夹口套胶螺丝





Profile: A nickel silver– 白铜A型

Profile: B titanium– 钛B型

Profile: C nickel silver– 白铜C型



Width 宽度	Profile 类型	Angle (α)	Art.No. 配件编号	  Safety rimlock screws 夹口套胶螺丝
3.0 mm	A	0	64-02745.177.1X	99-01542 ⊕
		5	64-02745.122.1X	
		10	64-02745.158.1X	
		15	64-02745.157.1X	
	B titanium	0	64-22640.102.1X	
		5	64-22640.104.1X	
		10	64-22640.106.1X	
3.5 mm	C	0	64-02137.104.1X	99-01545 ⊕
				99-01601 ⊕