

Regular hinges titanium

钛合金对口铰链

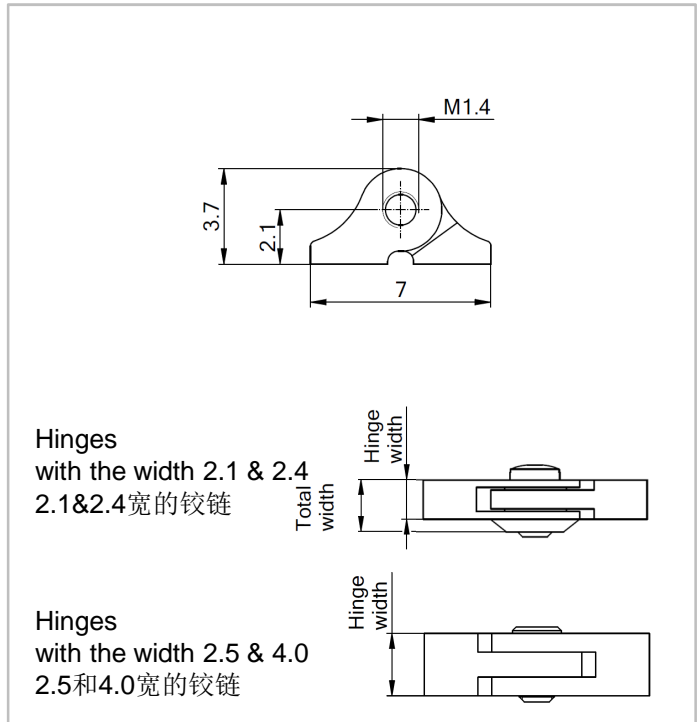
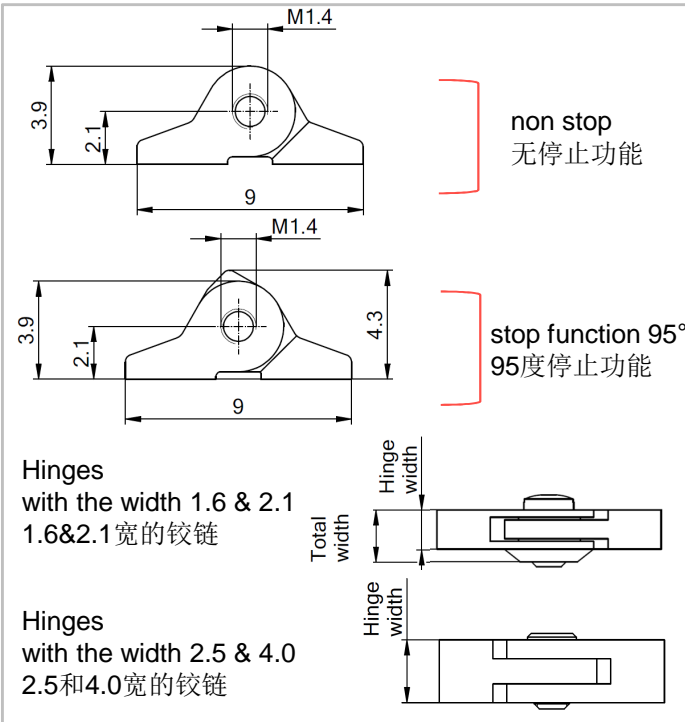


- Regular hinges for soldering
 - 烧焊用对口铰
- Made from titanium
 - 钛合金材质
- Integrated washer against friction
 - 含防磨擦垫片
- Optionally standard stop function at 95°
 - 只有一种停止角度-95°
- Available assembled with standard minus or plus screw
 - 有装好一字或十字标准螺丝



Profile: A – A型

Profile: B – B型



Hinge width 铰链宽度	Total width 总宽度	Profile 类型	Stop angle (α) 停止角	Art.No. 配件编号	Standard screws 标准螺丝
1.6 mm	2.1 mm	A	non stop	51-20240.100.0X	99-47107 ⊖
			95°	51-21755.100.0X	
2.1 mm	2.6 mm	A	non stop	51-20245.100.0X	99-47104 ⊖
			95°	51-21765.100.0X	
2.4 mm	2.9 mm	B	non stop	51-20833.200.0X	99-44131 ⊕
2.5 mm	2.5 mm	B	non stop	51-20834.200.0X	99-44107 ⊕
			non stop	51-20250.100.0X	99-47101 ⊖
		A	95°	51-21757.100.0X	
2.8 mm	2.8 mm	B	non stop	51-20277.100.0X	99-47108 ⊖
			non stop	51-20835.200.0X	99-44111 ⊕
3.0 mm	3.0 mm	A	non stop	51-20260.100.0X	99-46106 ⊖
			95°	51-21758.100.0X	99-47131 ⊖
3.5 mm	3.5 mm	B	non stop	51-20276.100.0X	99-47165 ⊖
			non stop	51-20265.100.0X	99-47132 ⊖
		A	95°	51-21961.100.0X	
4.0 mm	4.0 mm	B	non stop	51-20836.400.0X	99-44107 ⊕
			non stop	51-20266.100.0X	99-47133 ⊖
		A	95°	51-21772.100.0X	
		B	non stop	51-20287.100.0X	

