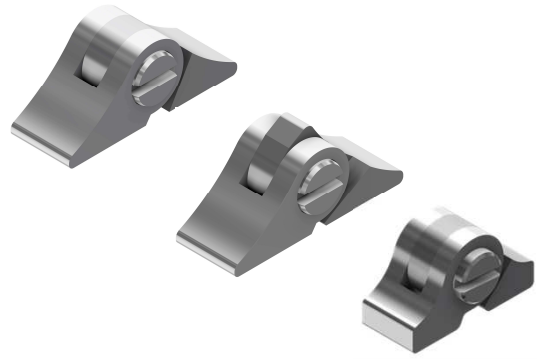


Regular hinges stainless steel

不锈钢对口铰链

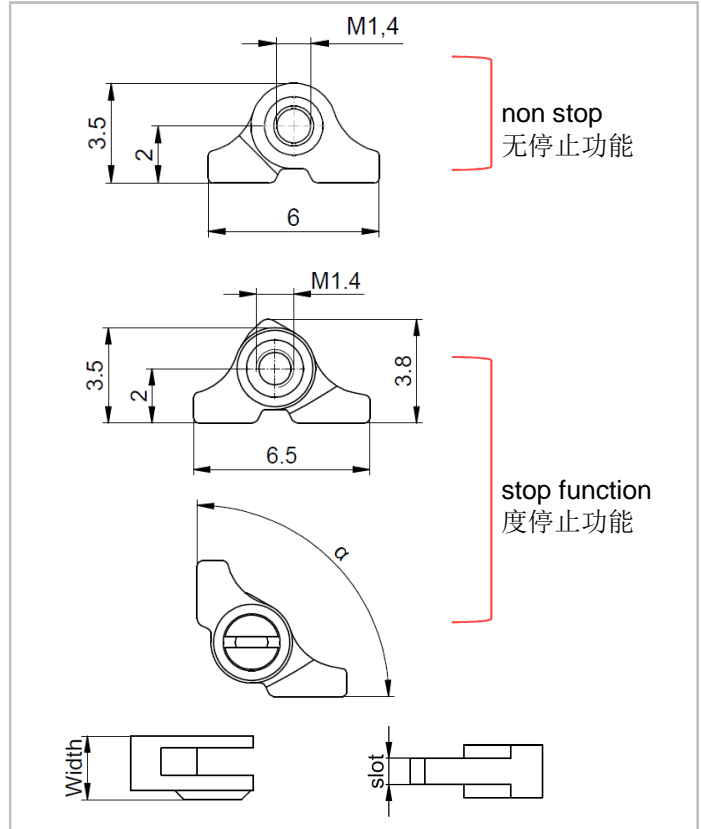
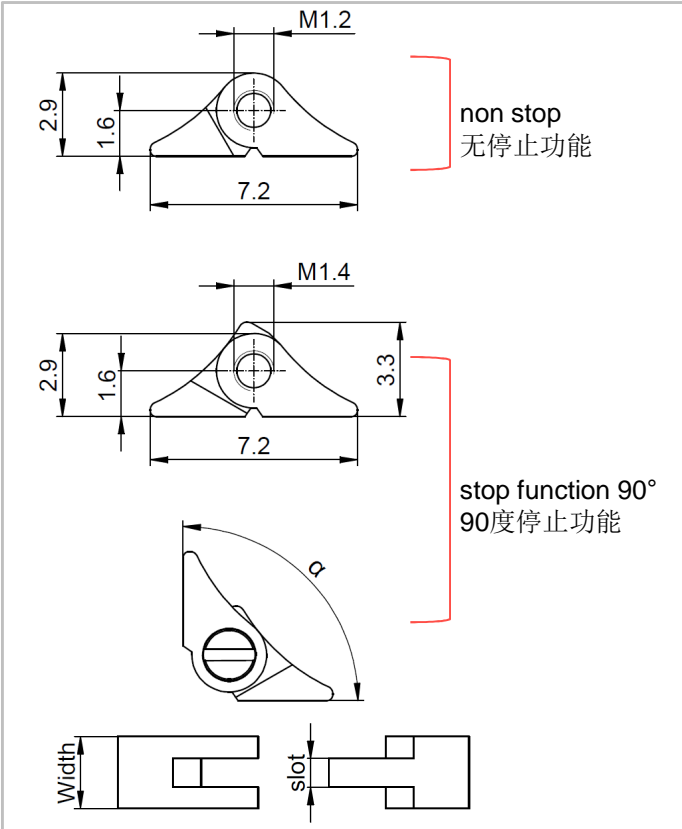


- Regular hinges for soldering
 - 烧焊用对口铰
- Made from stainless steel
 - 不锈钢材质
- Optionally standard stop function at 90°, 95°
 - 只有一种停止角度: 90°, 95°
- Available loose with corresponding minus screw
 - 提供散件, 配一字螺丝
- Modification for Space Screw can be made upon request
 - 太空螺丝 (即蓝胶螺丝) 可以依要求定制



Profile: A – A型

Profile: B – B型



Width 宽度	Profile - Slot 类型 - 开槽	Stop angle (α) 停止铰	Art.No. 配件编号		Standard screws 标准螺丝		Space Screws 99-0X3XX.600 太空螺丝
			Female 双齿	Male 单齿			
2.0 mm	A - 0.8 mm	non stop无停止	51-40170.900.0X	51-40170.900.03	99-47125	-	
		90°	51-42317.900.0X	51-42317.900.03	99-47172	-	
	B - 1.0 mm	90°	51-42330.900.0X	51-42330.900.0Y	99-47551	-	
2.5 mm	A - 1.0 mm	non stop无停止	51-40175.900.0X	51-40175.900.03	99-47118	-	
		90°	51-42302.900.0X	51-42302.900.03	99-47102	-	
	B - 1.0 mm	non stop无停止	51-41180.900.0X	51-41180.900.03	99-47130	99-02322 99-05322	
		95°	51-42337.900.0X	51-42363.900.03	99-47130	99-02322 99-05322	
3.0 mm	A - 1.2 mm	non stop无停止	51-40180.900.0X	51-40180.900.03	99-47122	-	
		90°	51-42306.900.0X	51-42306.900.03	99-47165	-	
	B - 1.2 mm	non stop无停止	51-41183.900.0X	51-41183.900.03	99-47131	99-02324 99-05324	
3.5 mm	A - 1.9 mm	non stop无停止	51-40181.900.0X	51-40181.900.03	99-47124	-	
	A - 1.6 mm	90°	51-42311.900.0X	51-42310.900.03	99-47166	-	
	B - 1.6 mm	non stop无停止	51-41187.900.0X	51-41187.900.03	99-47132	-	

